



Solvent Cleaning System

Ace Advantages

- ♣ Clean solvent when you want it.
- ♣ Parts get cleaner, dry faster for painting and reassembling
- ♣ No drums or dirty solvent to store
- ♣ Less waste created

Easy to Use

- ♣ Fully portable
- ♣ Fully automated
- ♣ Hooks up quickly
- ♣ No down time while cleaning parts

Save Time

- ♣ No waiting for a service call to change dirty solvents
- ♣ Eliminates problem of scheduling service on parts cleaner
- ♣ No down time while cleaning parts

Easy to Maintain

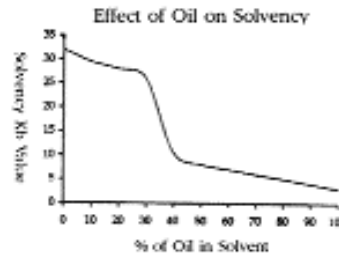
- ♣ Rental agent handles all maintenance at no extra cost*(there is a charge for extra solvent use)
- ♣ Works independently of parts cleaner
- ♣ If the Ace ever needs maintenance, your parts cleaner keeps on working
- ♣ Operational status indicator lights

Good for the Environment

- ♣ Prevents the creation of hazardous waste
- ♣ Re-uses the solvent
- ♣ Reduces waste traveling on public highways
- ♣ Saves energy
- ♣ Less need to rely on more toxic solvents
- ♣ Safer for workers
- ♣ Extends life of a limited petroleum resource indefinitely

Why use dirty, oily solvent that doesn't clean well? When you don't have to.

Studies show that as solvent becomes progressively dirtier its ability to clean parts is significantly reduced. When used solvent is contaminated by more than 30% oil its Kb value (ability to clean) is reduced by 75%.



The Ace system removes the oil and other contaminated from the solvent allowing it to continue to work as an effective cleaner.

Be certain that your solvent is not part of the next new Superfund site!

Ace Will Reduce Your EPA Paperwork and Fees

- ♣ You will be able to move to a lower, less regulated generator category
- ♣ Will eliminate the need for most EPA manifest, reporting and record-keeping

A truly State-Of-The-Art Parts Cleaning System!

If no waste is created, it can not come back to haunt you in the future!



Solvent Cleaning System



**HOW YOU CAN
MINIMIZE YOUR
SOLVENT WASTE,
REDUCE LIABILITY,
HELP THE ENVIRONMENT
AND SAVE MONEY**

♠ ACE

Solvent Cleaning System

Ace Solvent Systems, Inc. makes it easier for you to support a clean environment and regulatory compliance, while improving you Company's profitability

The **Ace Solvent Cleaning System** is a real solution, a cleaning technology that lets you use your parts cleaner solvent on-site indefinitely. Instead of generating, transporting and disposing of spent solvent - a hazardous waste - you are able to continuously clean the spent solvent and return it to use. The used oil, grease and dirt from the cleaned parts are separated from the solvent and regulated as used oil - not a hazardous waste.

By eliminating the need to handle a hazardous waste, the Ace System eliminates many of your regulatory issues.

The Value of Waste Reduction

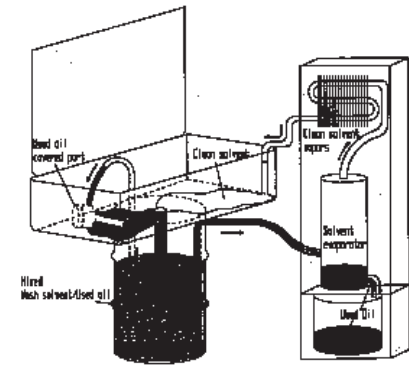
Reducing waste and preventing pollution are more than the right thing to do. Many state environmental agencies already require waste reduction plans or have implemented other reduction requirements. Ace makes it possible to comply with these requirements.

EPA requires every generator to certify that they have a waste minimization plan on each hazardous waste manifest. The Resource Conservation and Recovery Act (RCRA) makes you liable for any hazardous waste you generate from the "cradle to the grave".

Even though you don't handle the waste once it leaves your property, you are still liable for its safe handling during transportation, storage and into eternity!

The only way to truly eliminate your waste worries is to not create the waste in the first place! The Ace system will allow you to achieve this goal.

The Ace Solvent Cleaning System has made it possible for many large quantity generators (more than 2,200 pounds per month) and small quantity generators (220 to 2,200 pounds) to "downsize" one or two categories. This means you have to contend with fewer regulatory requirements.



***The Future of Parts Cleaning!
From Fortune 500 companies
to the friendly neighborhood
mechanic! Now you can
minimize your solvent waste.***

Benefits of the Ace System

- ♠ Clean solvent when you want it!
- ♠ Eliminate or minimize hazardous waste!
- ♠ Eliminate the transport of waste!
- ♠ System is fully automated and easy to use!
- ♠ Increase productivity!
- ♠ Improve your Company's profitability!
- ♠ No hidden service or other cost!

Weighing the Costs

The Ace System cost no more than traditional systems - even less when you consider the reduction of your regulatory, liability and hidden costs. The Ace System also reduces your record keeping costs, liability concerns, and transportation and third party handling risks. It can even reduce your regulatory fees and taxes. At the same time you are demonstrating to your customers that you are doing all you can to protect the environment. You are showing that you are committed to reducing waste and preventing pollution. The Ace System is designed to meet today's users needs by improving parts cleaner efficiency while lessening environmental impact.

*Minimize the worry and possibilities
of long-term liability by shipping
less hazardous waste off-site.*

*Meet regulatory and business
objectives, help the environment...
And save money!*
